



ARGONAUT[®] PUMP

Your best choice for small to medium sized pools.



- Self priming to 3 metres
- Heavy duty long life IP55 rated motor
- Quiet running 60dB rating
- Glass filled polypropylene tank has a high chemical resistance
- High-grade stainless steel motor shaft
- AISI 316 carbon/ceramic mechanical seal
- Large 1.75 litre strainer basket and clear body lid for easy inspection
- Can be used with high salt water concentration
- ABS solvent weld unions 63mm/2" supplied with reducers for 50mm/1.5"

 **Plastica**

The UK's Leading Independent Swimming Pool Manufacturer and Distributor

ARGONAUT[®] PUMP



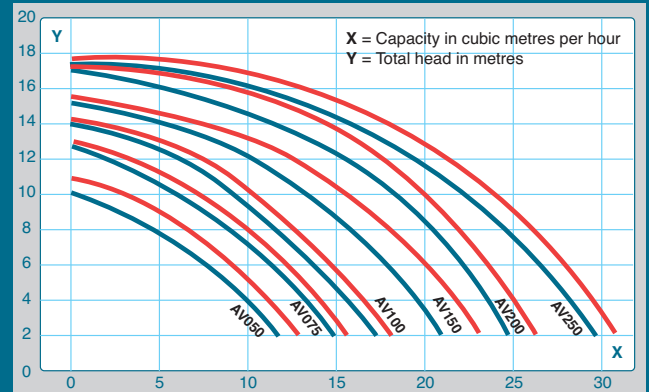
Your best choice for small to medium sized pools.

The Plastica Argonaut pump has been designed and engineered to succeed the rest. A superior build quality ensures performance durability and reliability.

The mechanical seal made with AISI 316 Stainless steel is suitable for a wide range of applications including chlorine, bromine, iodine and even sea water.

All IP55 rated motors include a high-grade Stainless steel shaft, ranging from 0.33 Horse Power (0.24 KW) to 2 Horse Power (1.5 KW)
The Argonaut truly is an exceptional choice for small to medium size applications.

Performance Curve



0.33HP = 0.24KW
0.5hp = 0.375kW

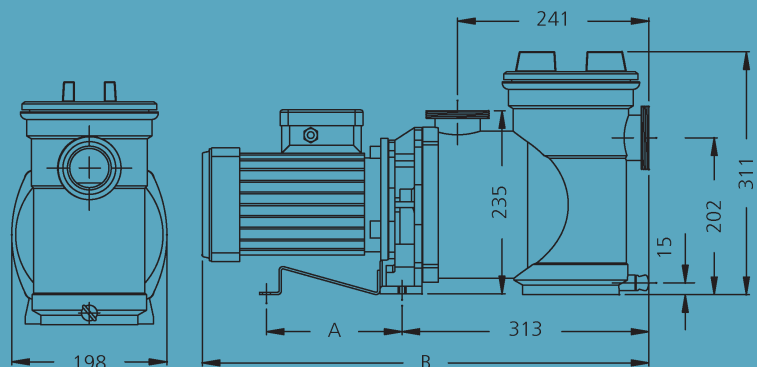
0.75hp = 0.56kW
1hp = 0.75kW

1.5hp = 1.12kW
2hp = 1.5kW

— Three phase — Single phase

1-Phase*	A	B	INPUT kW
AV50-2DN-S	144	533	0.45
AV75-2DN-S	164	533	0.60
AV100-2DNS-S	164	533	0.70
AV150-2DNS-S	164	561	1.00
AV200-2DNS-S	174	561	1.30
AV250-2DNS-S	174	564	1.80

*Also available in 3-Phase



Voltage	230v, 50Hz
Material	Tank: Glass filled Blue Polypropylene Motor: Aluminium Shaft: High-grade stainless steel
Unions	ABS solvent weld unions 63mm/2" supplied with reducers for 50mm/1.5"
Cable Gland	PG11
Motor Insulation degrees	Class F
Noise	60dBA



Adjustable union for both metric and imperial 63mm and 2" or use insert for 40mm and 1.5"

Plastica

The UK's Leading Independent Swimming Pool Manufacturer and Distributor