



K-Flo VSTD

THE RIGHT FLOW FOR EACH APPLICATION

- Smart Inverter + Permanent Magnet Motor + synchronized motor : electricity saving up to 85%*
- **Extremely quiet**
- **Twist-Lock opening cover** for easy maintenance
- Recommended for pools **up to 80 m³****

* Running at low speed.
Electricity savings of 65% are generally achieved.

** Running at low speed 24 hours



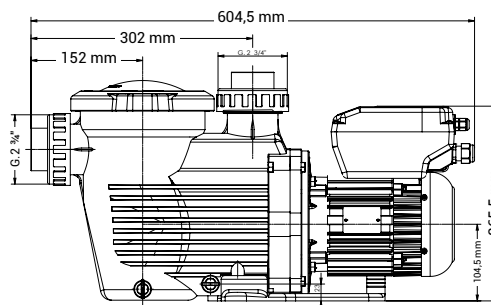
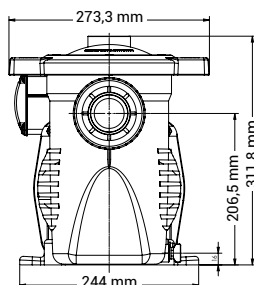
See-through Twist-Lock strainer cover



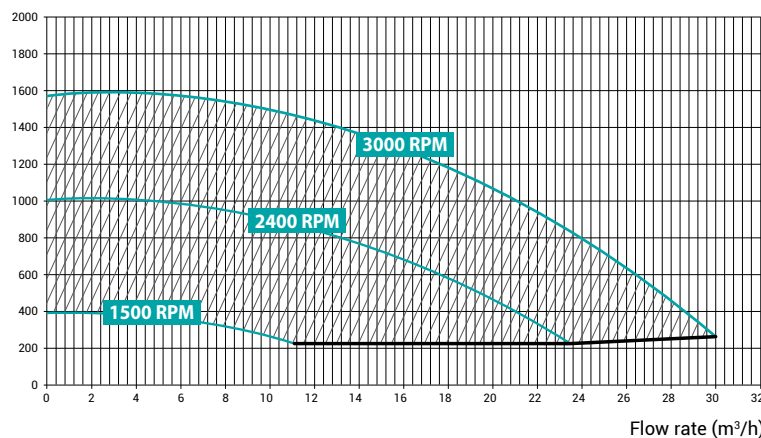
Double drain with easy opening (no tools required)



Unions kit included (50 and 63 mm)



Pressure (mbar)



Technical Specifications

Max. water temp.	35°C
Mechanical seal	AISI 316, compatible with salt treatment (salt chlorinator)
Motor-drive specifications	Class F, IP55, 50 Hz, Brushless VFD
Housing/impeller/strainer/lid	PP+GF/Noryl® +GF/PP/SAN®
Prefilter size	3.5 L

Type	Flow rate*	Weight	I/O	Input Power P1	Output Power P2	Amperage	Quantity per pallet	Item.
K-FLO VSTD	1.5 HP @10 m: 21 m³/h @8 m: 23.8 m³/h	15 kg	50 and 63 mm	1240 W	1100 W	5.9 A	20	SPK12615VSTD

*at 3000 Rpm

LPRK Smart retrofit kit: use it with the K-Flo VSTD to replace easily old pumps on existing installations

Item	Pumps to replace	Kit content	Kit per box
SMART RETROFIT KIT	Astral Victoria Plus, Astral Victoria Plus Silent, Saci Winner	Smart Base 45 (1), Fixing screw (3), RC50 (2), O-ring Seal (2)	10

LPRK is valid to retrofit installations Ø 50 mm, commonly used for pumps up to 1 HP

