

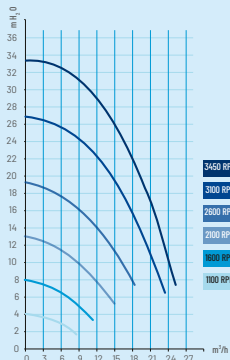
VS2 DISPLAY


 30-80 M<sup>3</sup>

# LA STA-RITE VS2

## VARIABLE SPEED PUMPS

The Industry standard and classic from Pentair for compact pools.



### FEATURES

- High head impellers
- Stainless steel locking clamp and XL pre filter basket
- Oversized and robust motor

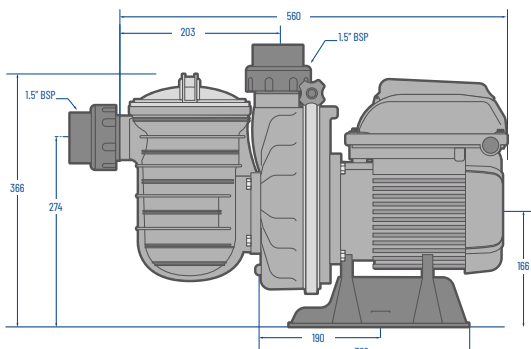
### BENEFITS

- Ideal for applications where control room is far from pool
- Quick maintenance and longer periods between cleaning
- Extremely reliable and efficient pump

### TECHNICAL FEATURES

- Oversized 3hp asynchronous motor derated to 1.5hp to deliver high efficiency even at high speed
- 3 programmable speed/time + override
- Simple and intuitive LCD display with Watts, RPM & time info
- 4 digital inputs for external control (optional communication cable - PN. 356324Z)
- Inlet/Outlet → 1.5" BSP
- Ø Unions → 50 mm ID
- Unions included → Yes
- Salt resistancy → 0.40%

Part Number	Flow m <sup>3</sup> /h @ 8 m	Power output (kW)	(HP)	Volt (V)	Phase	Length (A) (mm)	Weight (Kg)
P-STR-VS2	-	1.1	1.5	220-240	1~	560	22.6



Packaging	Length (mm)	Width (mm)	Height (mm)	Pce/Palet
Box	79	37	43	-
Palet	120	80	150	9