

**SILENSOR**® by DAVEY



SLS model



SLL model



RESIDENTIAL



POOL PUMP

## REVOLUTIONARY WATER COOLED POOL PUMPS

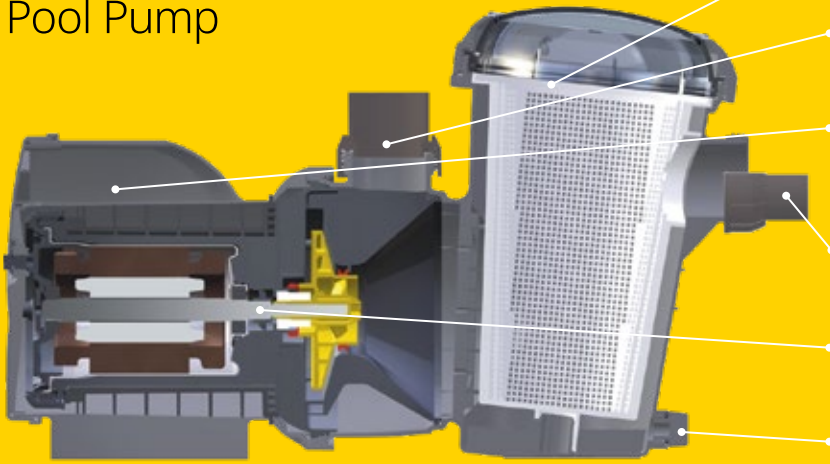
### APPLICATION

Ideal for pool filtration, water features,  
and pool & spa heating systems.

### SUPER QUIET POOL PUMP

- Water cooled pump that runs quieter with less vibration – average of 55dBa
- Does not need ventilation – more flexibility for installer
- Long life design – no corrosion
- Extra-large 4.5 litre leaf basket – long intervals between cleaning
- Smaller leaf basket available for the “Cassette Market”
- Loss of prime protection – automatic cut out to protect pump
- Inbuilt Thermal Cut out – no need for separate safety switch
- Suitable for saltwater pools
- Available in single and three phase models, flows up to 24m<sup>3</sup>/hr

## Swimming Pool Pump



- Large Leaf Basket (on SLL models) with easy to remove, clear lid
- Dry running protection to protect the pump when there is no water inside the pump
- Built with strong corrosion and UV-resistant Polypropylene materials for long service life
- Quality ABS quick coupling barrel unions for simple installation
- High performance water cooled motor for quiet, efficient use all year round
- Drain plug enables quick draining of the casing for easy removal and maintenance

Made in Australia • CE

### ELECTRICAL DATA

Model	SLS100E	SLS/SLL150E	SLL200E	SLL300E	SLL400E	SLL2003F	SLL3003F	SLL4003F
Voltage (V)	220/240					400		
Supply Freq (Hz)	50							
Motor Input Power (W/hp)	740/1.0	860/1.2	1130/1.5	1400/1.9	1760/2.4	1130/1.5	1400/1.9	1760/2.4
Motor Output Power (W/hp)	525/0.7	620/0.8	830/1.1	960/1.3	1200/1.6	830/1.1	960/1.3	1200/1.6
RPM	2850							
Enclosure Class (IP)	56							
Insulation Class	F							
Approval No.	A/10EA							
Lead Length	3m							

### OPERATING LIMITS

Max Water Temperature	40°C
Max Ambient Temperature	40°C
Noise Level (AS 5102.2)	54 to 56dBa

### DIMENSIONS

Model	Mounting Holes Diameter	Inlet PVC	Outlet PVC	Net Weight (kg)
SLS100E	10x34	50	50	11.0
SLS/SLL150E		50	50	11.0
SLL200E		50	50	12.5
SLL300E		63	63	12.5
SLL400E		63	63	13.0
SLL2003F		50	50	12.5
SLL3003F		63	63	12.5
SLL4003F		63	63	14.0

### HYDRAULIC PERFORMANCE

