



DAVEY
StarFlo®



TOUGH AND VERSATILE

APPLICATION

Ideal for in-ground and above ground pools, large swim spas and plunge pools. Also suitable for solar pool heating. Models to suit pools up to 110m³.

DESIGNED TO FILTER AND CIRCULATE POOL WATER

- **Reliable - Universal, multi-fit and versatile pump that suits multiple applications:**
 - Constructed of strong corrosion resistant and UV resistant materials for long and reliable working life
 - Heavy duty, totally enclosed motor protects against the elements for long operating life
 - Built-in, self-resetting thermal overload protects the motor against damage from over-heating
- **High Quality** – Corrosion resistant Noryl impeller for longer lasting trouble free performance
- **Long Lasting** – High performance silicon carbide Viton mechanical seal for long life in pool water
- **High Strength** – 316 stainless steel motor shaft
- **High Performance** – Powerful pumping delivering optimum flow rates for rapid pool water turnover
- Fully serviceable, allowing for easy maintenance and repair
- Drain plugs enabling simple water drainage for easy maintenance
- 3m power lead
- 2 year warranty

Universal
Pool Pump

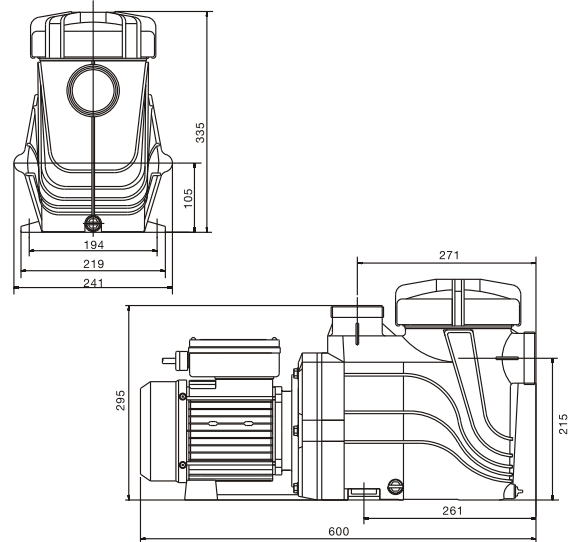


- 50 or 63mm Barrel unions supplied for ease of installation
- Easy to remove, see-through strainer lid
- Self resetting thermal overload protection in the event of the pump overheating
- Corrosion resistant Noryl impeller for longer lasting trouble-free performance
- 316 stainless steel motor shaft won't corrode or rust
- High performance motor with power reserves for extended operating life
- High performance silicon carbide Viton mechanical seal for long life in pool water

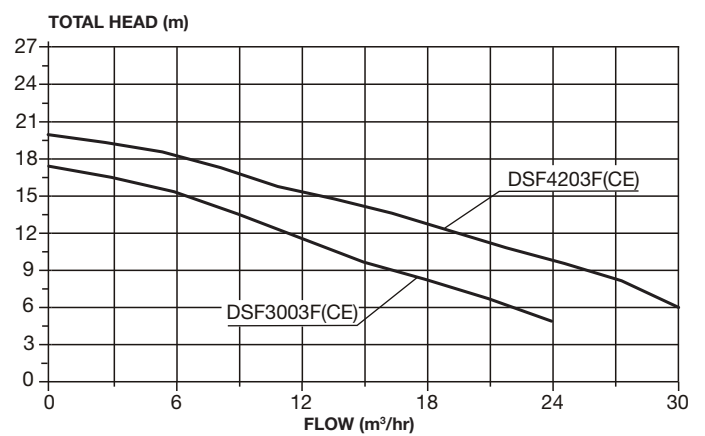
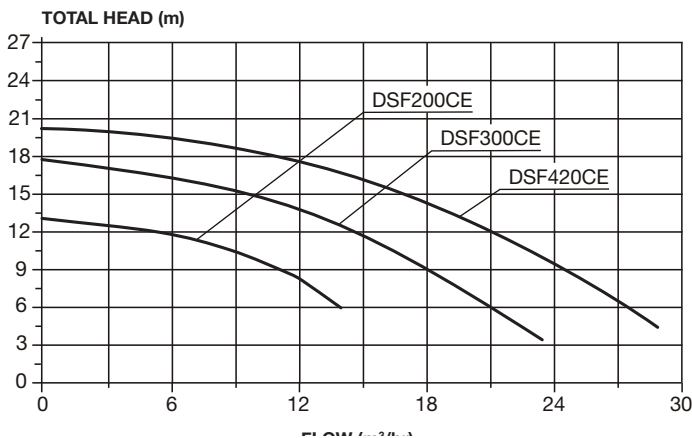
TECHNICAL DATA

Model	Single Phase					Three Phase	
	DSF150CE	DSF200CE	DSF250CE	DSF300CE	DSF420CE	DSF3003FCE	DSF4203FCE
Voltage & Supply Frequency (V/Hz)	220-240 / 50					400 / 50	
Run current (A)	2.6	3.7	3.8	5.8	8.3	2.0	3.2
Motor input power (W/hp)	550/0.75	750/1.0	870/1.2	1100/1.5	1650/2.2	1100/1.5	1650/2.2
Motor output power (W/hp)	370/0.5	550/0.75	570/0.78	750/1	1300/1.7	750/1	1300/1.7
Nominal speed (rpm)	2900					2900	
Enclosure class (IP)	55					55	
Insulation class	F					F	
Sound level (dBA @ 1m)	60	61	62	62	65	65	66
Inlet PVC Dimension (mm)	50 – 63					50 – 63	
Outlet PVC Dimension (mm)	50 – 63					50 – 63	
Net weight (kg)	12.4	13.6	14.6	15.5	17.6	14.3	16.5
Max. water Temperature	40°C					40°C	
Max. ambient Temperature	50°C					50°C	
Max. casing pressure	350kPa					350kPa	

DIMENSIONS (mm)



HYDRAULIC PERFORMANCE



*Please note: DSF150CE is self priming at 2m maximum.